



# CTS

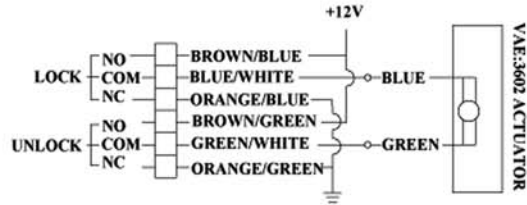
Certified Tracking Solutions



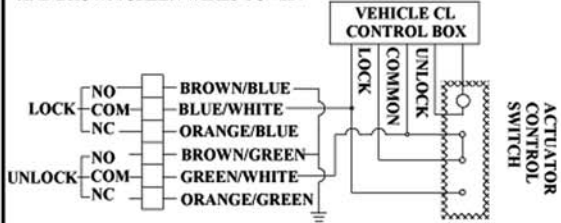
## Titan Tracker TT8000

CENTRAL LOCKING INTERFACE CONNECTIONS

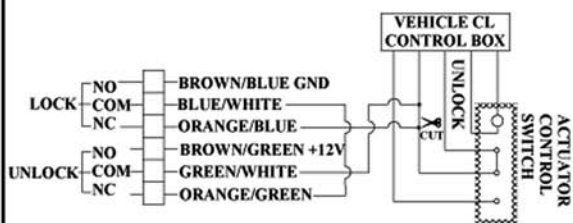
(1) FOR VEHICLES WITHOUT DRIVER SIDE LOCKING MOTOR



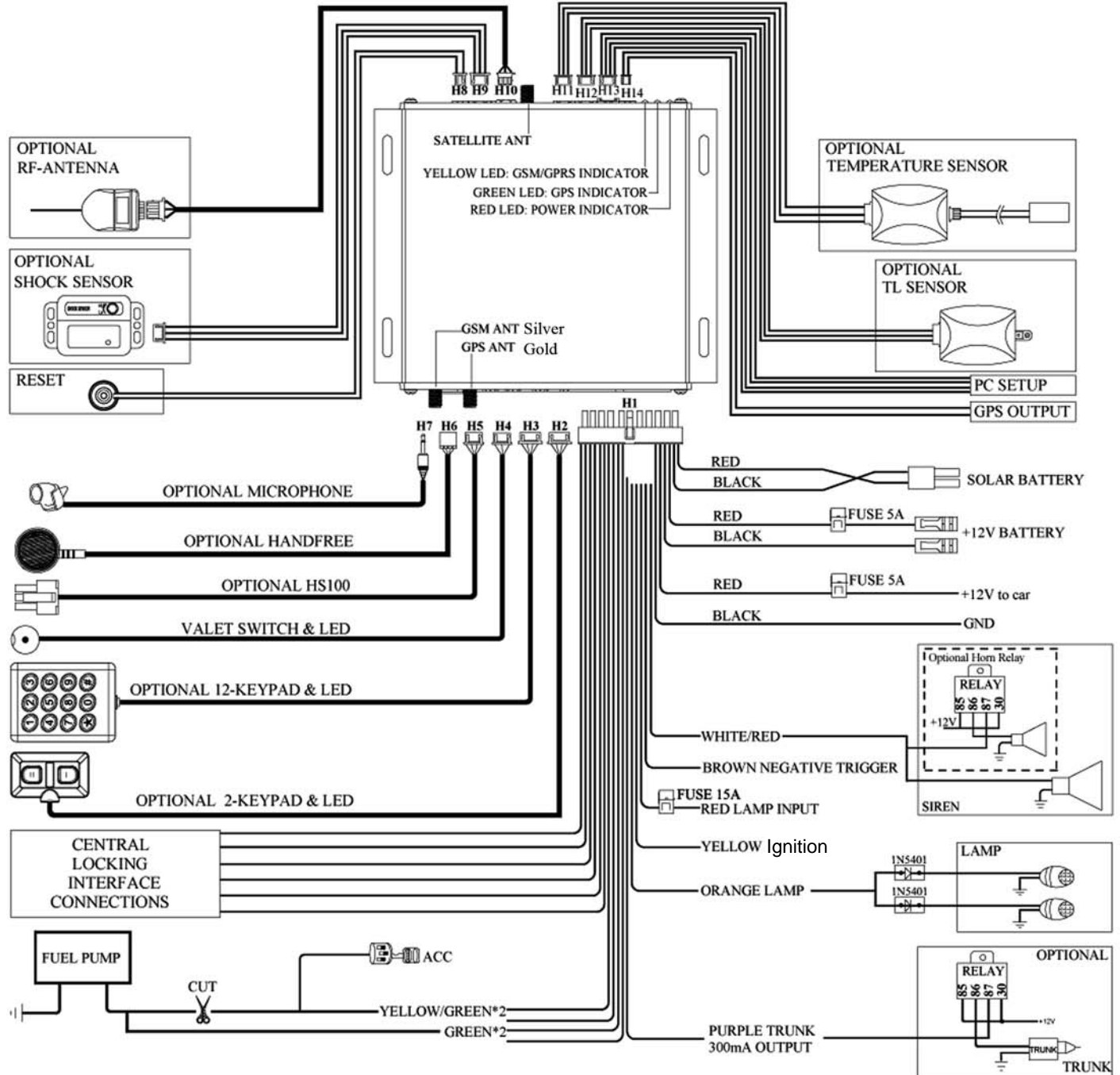
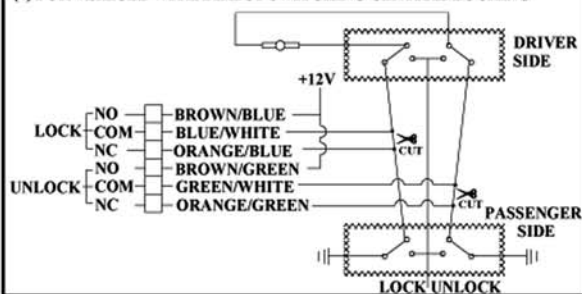
(2) FOR VEHICLES WITH NEGATIVE CENTRAL LOCKING (REF DRAWING BELOW) NOTE : WHEN THE VEHICLE IS WITH POSITIVE CENTRAL LOCKING(CL)CONNECT BROWN/BLUE AND BROWN/GREEN WIRES TO +12V



(3) FOR VEHICLES WITH POSITIVE UNLOCKING AND NEGATIVE LOCK SIGNAL (REF DRAWING BELOW) NOTE : WHEN THE VEHICLE IS WITH NEGATIVE, UNLOCK AND POSITIVE LOCK SWITCH BROWN/BLUE TO +12V AND BROWN/GREEN TO GROUND



(4) FOR VEHICLE WITH DIRECT SWITCHING CENTRAL LOCKING



## TT8000 INSTALLATION TIPS

- Always use a 5-amp in-line fuse on ignition to protect the unit from damage and to prevent damage not covered by warranty
- Install tracking module AND antennas in covert (hidden) positions so they cannot easily be found
- Always solder and tape all connections
- Mount module in a secure position where it will not be subject to moisture damage or excessive movement
- Ground to chassis (DO NOT ground to radio)
- If possible, power and ignition should not be from radio (unless absolutely necessary)

## IMPORTANT - ANTENNA PLACEMENT GUIDELINES

- Ensure BOTH antennas have the correct sides facing skyward and are as horizontal as possible  
**GPRS/GPS Antenna:** Ensure this antennas two-way tape adhesive (flat side) is facing downwards towards the road and is as horizontal as possible.  
**Iridium Antenna:** The flat side of this antenna is the bottom. It should face the road.
- Do NOT block or cover with any type of metal
- Do NOT place antenna near vehicle radio as it may cause interference
- Secure antenna so it doesn't shift and create a communication issue

## TT8000 LED STATUS

The three LED's indicate the status of the POWER, GSM-GPRS signal, Iridium and GPS

LED Color	Type	LED Action	Description
Red	Power	Solid	Indicates the TT8000 is connected to battery.
Red	Power	Constant Flashing	Indicates that the constant power is not connected and the unit is running off of it's internal back-up batteries.
Red	Power	Double Flashing	Indicates that the constant power is connected and the unit is connected to the Iridium Satellite network (Twice every 2 seconds).
Red	Power	Off	Indicated that there is no connection to the battery.
Green	GPS	Solid	The TT8000 has acquired GPS Satellite Signal.
Green	GPS	Off	The TT8000 is not able to acquire GPS Satellite Signal
Yellow	GPRS	Solid	Indicates that the TT3000 is in GSM mode.
Yellow	GPRS	Flashing	Indicates that the TT3000 is connected to the GPRS Digital Cellular Network (Necesssary for most tracking functions).
Yellow	GPRS	Off	Indicates that the TT3000 is not making a connection to the GPRS Digital Cellular Network. Unit may be connected via Iridium Satellite network (See Red LED status)